

ZK-RGA



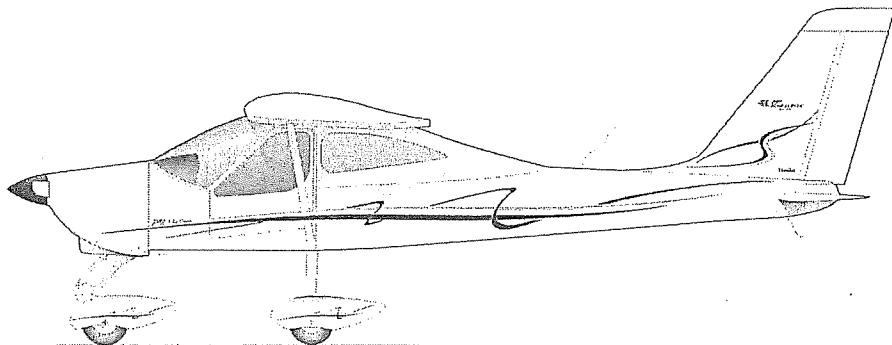
Flight Manual

P92 Echo Classic *Deluxe*

DO NOT REMOVE FROM CLUBHOUSE

FLIGHT MANUAL

US-LSA



P92 Echo Classic *Deluxe*

Manufacturer

COSTRUZIONI AERONAUTICHE TECNAM S.r.l.

Type Certificate: ASTM SLSA

Serial number: _____

Build year: _____

Registration: _____

Introduction

This manual contains information to be furnished to the pilot as required by the FAA in addition to further information supplied by the manufacturer.

This manual must always be present on board the aircraft.

The aircraft is to be operated in compliance with information and limitations contained herein. All sections follow the ASTM guidelines as finalized 14 December 2007.

1

Revision Date: 11-27-2008
Revision Number: 1.00

Doc n° 92-13-110-00

Flight Manual

List of Effective Pages

Page	Date	Page	Date	Page	Date
1	11-27-2008	36	11-27-2008		
2	11-27-2008	37	11-27-2008		
3	11-27-2008	38	11-27-2008		
4	11-27-2008	39	11-27-2008		
5	11-27-2008	40	11-27-2008		
6	11-27-2008	41	11-27-2008		
7	11-27-2008	42	11-27-2008		
8	11-27-2008	43	11-27-2008		
9	11-27-2008	44	11-27-2008		
10	11-27-2008	45	11-27-2008		
11	11-27-2008	46	11-27-2008		
12	11-27-2008	47	11-27-2008		
13	11-27-2008	48	11-27-2008		
14	11-27-2008	49	11-27-2008		
15	11-27-2008	50	11-27-2008		
16	11-27-2008	51	11-27-2008		
17	11-27-2008	52	11-27-2008		
18	11-27-2008	53	11-27-2008		
19	11-27-2008	54	11-27-2008		
20	11-27-2008	55	11-27-2008		
21	11-27-2008	56	11-27-2008		
22	11-27-2008	57	11-27-2008		
23	11-27-2008	58	11-27-2008		
24	11-27-2008	59	11-27-2008		
25	11-27-2008	60	11-27-2008		
26	11-27-2008	61	11-27-2008		
27	11-27-2008	62	11-27-2008		
28	11-27-2008	63	11-27-2008		
29	11-27-2008	64	11-27-2008		
30	11-27-2008	65	11-27-2008		
31	11-27-2008	66	11-27-2008		
32	11-27-2008				
33	11-27-2008				
34	11-27-2008				
35	11-27-2008				

Flight Manual
Table of Contents

Unit Conversion Chart.....	10
SECTION 1 GENERAL	11
1.1 Introduction.....	11
1.2 Certification Basis.....	11
1.3 Descriptive Data.....	13
1.3.1 Airframe.....	13
1.4 Powerplant.....	13
1.4.1 Engine.....	13
1.4.2 Propeller.....	13
1.4.3 Oil System.....	14
1.4.4 Cooling.....	14
1.4.5 Fuel.....	14
1.5 Weights.....	14
1.5.1 Maximum Weights.....	14
1.5.2 Standard Weights.....	14
1.5.3 Specific Loadings.....	14
1.6 Standard Equipment.....	15
1.6.1 Flight Instruments.....	15
1.6.2 Engine instruments.....	15
1.6.3 Warning Lights and Indicators.....	15
1.6.4 Controls.....	15
1.6.5 Interior.....	15
1.6.6 Exterior.....	15
1.6.7 Powerplant and Accessories.....	15
1.7 Airframe.....	16
1.7.1 Wing.....	16
1.7.2 Fuselage.....	16
1.7.3 Empennage.....	16
1.7.4 Flight controls.....	16
1.7.5 Instrument Panel.....	17
1.7.6 Carburetor Heat.....	17
1.7.7 Cabin Heat / Defrost.....	17
1.7.8 Throttle Friction Lock.....	17
1.7.9 Seats, Seatbelts, and Shoulder harnesses.....	17
1.7.10 Doors.....	18
1.7.11 Baggage compartment.....	18
1.8 Powerplant.....	18
1.8.1 Engine.....	18
1.8.2 Propeller.....	18
1.8.3 Fuel system.....	19
1.9 Electrical System.....	21
1.9.1 Generator light.....	21
1.9.2 Voltmeter.....	22
1.9.3 Oil temperature gauge.....	22

1.9.4	Cylinder head temperature.....	22
1.9.5	Oil Pressure.....	22
1.9.6	Fuel Pressure.....	22
1.9.7	O.A.T. Indicator.....	22
1.9.8	Stall Warning System.....	22
1.9.9	Avionics.....	22
1.9.10	Exterior Lighting.....	22
1.10	Pitot and Static Pressure Systems.....	23
1.11	Landing Gear.....	24
1.11.1	Brake System.....	<i>Errore. Il segnalibro non è definito.</i>
SECTION 2 OPERATING LIMITATIONS.....		25
2	Introduction.....	27
2.1.1	Airspeed Limitations.....	27
2.1.2	Airspeed Indicator Markings.....	27
2.1.3	Powerplant Limitations.....	28
2.1.4	Temperatures.....	28
2.1.5	Oil Pressure.....	28
2.1.6	Operating & starting temperature range.....	28
2.1.7	Fuel Pressure.....	28
2.1.8	Lubricant.....	29
2.1.9	Coolant.....	29
2.1.10	Propeller.....	29
2.1.11	Fuel.....	29
2.1.12	Approved Fuel.....	30
2.1.13	Powerplant Instrument Markings.....	30
2.1.14	Other Instrument Markings.....	30
2.1.15	Weights.....	30
2.1.16	Center of Gravity Limits.....	30
2.1.17	Approved Maneuvers.....	31
2.1.18	Maneuvering Load Factor Limits.....	31
2.1.19	Flight Crew.....	31
2.1.20	Kinds of Operations.....	31
2.1.21	Day VFR.....	32
2.1.22	Night.....	32
2.1.23	IFR.....	32
2.1.24	Demonstrated Crosswind Safe Operations.....	32
2.1.25	Service Ceiling.....	32
2.1.26	Limitation Placards.....	32
3	Introduction.....	33
3.1	Aircraft weighing procedures.....	33
3.1.1	Preparation.....	33
3.1.2	Calculate empty weight Weighing.....	33
3.1.3	Determination of C.G. location.....	33
3.2	Weighing report.....	34
3.2.1	Center of Gravity Limits.....	34

Flight Manual

3.2.2	Distances from the datum	35
3.3	Weight and Balance	36
3.3.1	Loading	38
3.4	Equipment List	38
SECTION 4 PERFORMANCE		40
4	Introduction	40
4.1	Use of Performance Charts	40
4.2	Airspeed Indicator System Calibration	41
4.3	ICAO Chart	42
4.4	Stall Speeds	43
4.5	Crosswind	44
4.6	Takeoff Performance	45
4.7	Landing Distance	46
4.8	Climb Performance	47
4.9	Cruise	48
4.10	Balked Landing	49
4.11	Effects of Rain and Insects	49
4.12	Noise Data	49
SECTION 5 EMERGENCY PROCEDURES		50
5	Introduction	50
5.1	Engine Failures	51
5.1.1	Engine Failures on Ground	51
5.1.2	Engine Failure during Flight	51
5.2	Smoke and Fire	52
5.2.1	Engine Fire while parked	52
5.2.2	Engine Fire during Takeoff	52
5.2.3	Engine Fire in-flight	52
5.2.4	Cabin Fire during Flight	53
5.3	Landing Emergency	53
5.4	Recovery from Unintentional Spin	54
5.5	Other Emergencies	54
5.5.1	UNINTENTIONAL FLIGHT INTO ICING CONDITIONS	54
5.5.2	Carburetor Ice	54
5.6	Electric Power System Malfunction	55
5.6.1	GENERATOR LIGHT ILLUMINATES	55
5.7	Trim System Failure	55

5.7.1	LOCKED CONTROL.....	55
SECTION 6 NORMAL PROCEDURES.....		56
6	Introduction.....	56
6.1	Removing and Reinstalling the Engine Cowling.....	56
6.1.1	Upper Cowling.....	56
6.1.2	Lower Cowling.....	56
6.2	Checklist Procedures.....	57
6.2.1	Pre-Flight Inspection.....	57
SECTION 7 GROUND HANDLING & SERVICE.....		63
7	Introduction.....	63
7.1	Aircraft Inspection Periods.....	63
7.2	Aircraft Alterations or Repairs.....	63
7.3	Ground Handling.....	63
7.3.1	Towing.....	63
7.3.2	Parking and Tiedown.....	63
7.3.3	Jacking.....	63
7.3.4	Leveling.....	63
7.3.5	Road Transport.....	63
7.3.6	Cleaning and Care.....	64
7.3.7	Ground anchorage.....	64
8	Placards and Markings.....	65

WARNINGS - CAUTIONS - NOTES

The following definitions apply to warnings, cautions and notes used in the Flight Manual.

WARNING

Means that the non-observation of the corresponding procedure leads to an immediate or important degradation of the flight safety

CAUTION

Means that the non-observation of the corresponding procedure leads to a minor or to a more or less long-term degradation of the flight safety

NOTE

Draws the attention to any special item not directly related to safety but which is important or unusual.

Abbreviations & Terminology
Airspeed Terminology

KCAS	Calibrated Airspeed is the indicated airspeed corrected for position and instrument error and expressed in knots.
KIAS	Indicated Airspeed is the speed shown on the airspeed indicator and expressed in knots.
KTAS	True Airspeed is the airspeed expressed in knots relative to undisturbed air, which is KCAS, corrected for altitude and temperature.
V_A	Design maneuvering speed
V_C	Design cruising speed
V_{FE}	Maximum Flap Extended Speed is the highest speed permissible with wing flaps in a prescribed extended position.
V_H	Max Speed in level flight with Max continuous power
V_{LO}	Lift off speed: is the speed at which the aircraft generally lifts off from the ground.
V_{NE}	Never Exceed Speed is the speed limit that may not be exceeded at any time.
V_{NO}	Maximum Structural Cruising Speed is the speed that should not be exceeded except in smooth air, then only with caution.
V_S	Stalling Speed or minimum steady flight speed flaps retracted
V_{Si}	Stalling speed or minimum steady flight speed in landing configuration
V_{Sl}	Stalling speed in clean configuration (flap 0°)
V_X	Best Angle-of-Climb Speed is the speed, which results in the greatest gain of altitude in a given horizontal distance.
V_Y	Best Rate-of-Climb Speed is the speed, which results in the greatest gain in altitude in a given time.
V_R	Rotation speed: is the speed at which the aircraft rotates about the pitch axis during takeoff.

Meteorology Terminology

OAT	Outside Air Temperature is the free air static temperature expressed in degrees Celsius (°C).
T_S	Standard Temperature is 15°C (59°F) at sea level pressure altitude and decreased by 2°C for each 1000 ft of altitude.
H_p	Pressure Altitude is the altitude read from an altimeter when the barometric subscale has been set to 29.92"

Engine Power Terminology

RPM	Revolutions Per Minute: is the number of revolutions per minute of the propeller, multiplied by 2.4286 yields engine RPM.
-----	---

Airplane Performance and Flight Planning Terminology

Crosswind Velocity	is the velocity of the crosswind component for which adequate control of the airplane during takeoff and landing is guaranteed
Usable fuel	is the fuel available for flight planning
Unusable fuel	is the quantity of fuel that cannot be safely used in flight
g	is the acceleration of gravity
TOR	is the takeoff distance measured from actual start to wheel lift off point
TOD	is total takeoff distance measured from start to clearing a 50' obstacle
GR	is the distance measured during landing, from actual touchdown to stop point
LD	is the distance measured during landing, from clearing a 50' obstacle to actual stop
S/R	is specific range, that is, the distance (in nautical miles) which can be expected at a specific power setting and/or flight configuration per gallon of fuel used

Weight and Balance Terminology

Datum	"Reference datum" is an imaginary vertical plane from which all horizontal distances are measured for balance purposes
Arm	is the horizontal distance from the reference datum to the center of gravity (C.G.) of an item
Moment	is the product of the weight of an item multiplied by its arm
C.G.	Center of Gravity is the point at which the airplane, or equipment, would balance if suspended. Its distance from the reference datum is found by dividing the total moment by the total weight of the airplane
Empty Weight	Empty Weight is the weight of the airplane with engine fluids and oil at operating levels
Useful Load	is the difference between takeoff weight and the empty weight
Maximum Takeoff Weight	is the maximum weight approved for the start of the takeoff run
Maximum Landing Weight	is the maximum weight approved for the landing touch down
Tare	is the weight of chocks, blocks, stands, etc. used when weighing an airplane, and is included in the scale readings; tare is then deducted from the scale reading to obtain the actual (net) airplane weight

Flight Manual
Unit Conversion Chart

Multiplying		by →	Yields	
Temperature				
Fahrenheit	[°F]	$\frac{5}{9} \cdot (F - 32)$	Celsius	[°C]
Celsius	[°C]	$(\frac{9}{5} \cdot C) + 32$	Fahrenheit	[°F]
Forces				
Kilograms	[kg]	2.205	Pounds	[lbs]
Pounds	[lbs]	0.4536	Kilograms	[kg]
Speed				
Meters per second	[m/s]	196.86	Feet per minute	[ft/min]
Feet per minute	[ft/min]	0.00508	Meters per second.	[m/s]
Knots	[kts]	1.853	Kilometers / hour	[km/h]
Kilometers / hour	[km/h]	0.5396	Knots	[kts]
Pressure				
Atmosphere	[atm]	14.7	Pounds / sq. in	[psi]
Pounds / sq. in	[psi]	0.068	Atmosphere	[atm]
Length				
Kilometers	[km]	0.5396	Nautical miles	[nm]
Nautical miles	[nm]	1.853	Kilometers	[km]
Meters	[m]	3.281	Feet	[ft]
Feet	[ft]	0.3048	Meters	[m]
Centimeters	[cm]	0.3937	Inches	[in]
Inches	[in]	2.540	Centimeters	[cm]
Volume				
Liters	[l]	0.2642	U.S. Gallons	[US Gal]
U.S. Gallons	[US Gal]	3.785	Liters	[l]
Area				
Square meters	[m ²]	10.76	Square feet	[sq ft]
Square feet	[sq ft]	0.0929	Square meters	[m ²]
Torque				
foot-pounds		1.3558	Newton-meters	
foot-pounds		0.1383	kilogram-meters	
foot-pounds		12.0	inch-pounds	
inch-pounds		0.0115	kilogram-meters	
inch-pounds		0.1130	Newton-meters	
inch-pounds		0.0833	foot-pounds	
kilogram-meters		7.233	foot-pounds	
kilogram-meters		86.7964	inch-pounds	
kilogram-meters		9.8067	Newton-meters	
Newton-meters		0.7376	foot-pounds	
Newton-meters		8.8508	inch-pounds	
Newton-meters		0.1020	kilogram-meter	

SECTION 1 GENERAL

1.1 Introduction

The P92 Echo Classic is an all metal, high wing, two-place, single-engine airplane equipped with tricycle landing gear. It is an ASTM compliant airplane designed to be flown by sport pilot rated pilots as well as higher rated pilots.

This aircraft is designed and built in Italy and as such, was built using the metric system. Therefore, the primary numbers are in metric and the US conversion is in parenthesis for your information.

This Flight Manual has been prepared to ASTM standards to provide pilots and instructors with information for the safe and efficient operation of this aircraft.

This Flight Manual contains the following sections:

1. General Information
2. Operating Limitations
3. Weight & Balance
4. Performance
5. Emergency Procedures
6. Normal Procedures
7. Aircraft Ground Handling and Servicing
8. Required Placards and Markings

1.2 Certification Basis

This aircraft is certificated as a Special Light Sport Aircraft under FAR part 21.190 and complies with all applicable ASTM standards.

Flight Manual

THREE VIEW DRAWING

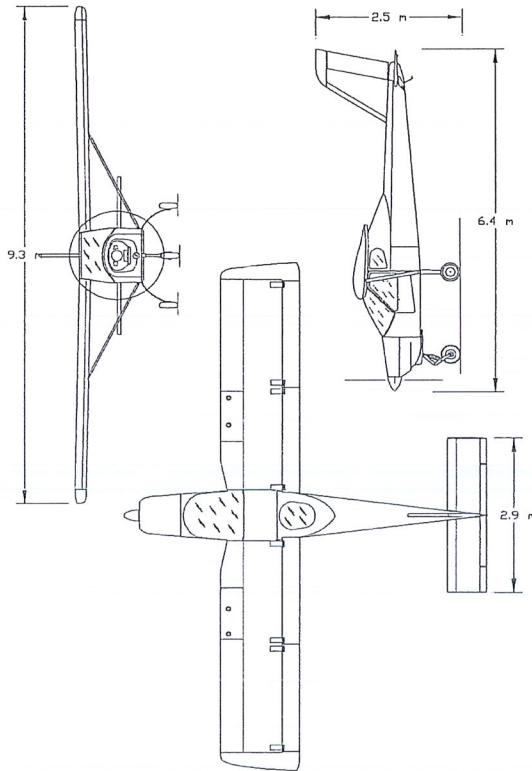


Figure 1-1 General Views

Wing Span	9.3m (30.5')
Length	6.4m (21')
Tail height	2.5m (8.2')
Propeller ground clearance	320mm (12.6")
Minimum ground steering radius	5.5m (18')

NOTE

- Dimensions shown refer to aircraft weight of 600 kg (1320 lbs) and normal operating tire pressure

1.3 Descriptive Data

1.3.1 Airframe

1.3.1.1 Wing

Wing span	9.3m (30.5')
Wing area	13.02 m ² (140 sq ft)
Aspect ratio	6.31
Taper ratio	1.00
Dihedral	1.5°
Wing chord	1.400 m (4.6')

1.3.1.2 Fuselage

Overall length	6.4m (21')
Overall width	1.06 m (41.7")
Overall height	2.5m (8.2')

1.3.1.3 Empennage

Stabilator span	2.9 m (9.5')
Stabilator area	1.972 m ² (21.2 ft ²)

1.3.1.4 Landing Gear

Wheel track	1.8 m (5.9')
Wheel base	1.6 m (5.2')
Main gear tires	Air Trac 5.00-5
Nose gear tire	Sava 4.00-6
Wheel brakes	Marc Ingegno 199-102

1.4 Powerplant

1.4.1 Engine

Manufacturer	Bombardier-Rotax GmbH
Model	912 ULS or 912 S2
Certification basis	ASTM F2239 or FAR Part 33
Type	4 stroke carburetor engine
Maximum power	73.5 kW (98.5 hp) @ 5800 rpm (max. 5 minutes) 69.0 kW (92.5 hp) @ 5500 rpm (cont.)

1.4.2 Propeller

Manufacturer	GT Tonini
Model	GT-2/173/VRR- FW101 SRTC
Number of blades	2
Diameter	1730 mm (68") (no reduction permitted)
Type	Fixed pitch – wood / composite

Flight Manual

1.4.3 Oil System

Oil system	Forced, with external oil reservoir
Oil	See Rotax operator's manual
Oil Capacity	Max. 3.0 liters (3.2 qt) – min. 2.0 liters (2.1 qt)

1.4.4 Cooling

Cooling system:	Combination air and liquid cooled system
Coolant:	See Rotax operator's manual
Capacity	3.0 liters (3.17 quarts)

1.4.5 Fuel

Fuel grade:	
Auto fuel	Min. RON 95 (AKI 91 Premium USA)
Avgas	100LL
Fuel tanks	2 integral wing tanks
Capacity of each wing tank	45 liters (11.9 gal)
Total capacity	90 liters (23.8 gal)
Total usable fuel	86.8 liters (22.9 gal)

1.5 Weights

1.5.1 Maximum Weights

Maximum take-off weight:	600 kg (1320 lbs)
Maximum landing weight:	600 kg (1320 lbs)
Maximum baggage weight	20 kg (44 lbs)

1.5.2 Standard Weights

Empty weight	325 kg (715 lb)
Maximum payload weight	275 kg (605 lb)

1.5.3 Specific Loadings

Wing Loading	46,1 kg/m ² (9.43 lb/ft ²)
Power Loading	6 kg/hp (13.2 lb/hp)

NOTE

Standard weights are estimates based on standard equipment.

1.6 Standard Equipment

1.6.1 Flight Instruments
Airspeed Indicator, Altimeter, Vertical Speed Indicator, Compass
1.6.2 Engine Instruments
Tachometer, Oil Pressure, Fuel Pressure, Oil Temperature, Cylinder Head Temperature, Hour Meter, Left and Right Fuel Quantity, Volt Meter
1.6.3 Warning Lights and Indicators
Trim Indicator, Flap Indicator, Generator Warning Light
1.6.4 Controls
Dual Stick Flight Controls and Rudder Pedals, Dual Throttles, Throttle Friction Control, Engine Choke, Electric Flaps, Hydraulic Disc Brakes with Parking Brake, Left and Right Fuel Selector Valves, Direct Nose Wheel Steering
1.6.5 Interior
Adjustable Pilot and Copilot Seats, Acoustic Cabin Soundproofing, Adjustable Cabin Air Ventilators, Steel Roll Cage, Cabin Heat and Windshield Defrost, 12V Power Outlet, Metal Instrument Panel
1.6.6 Exterior
All Aluminum structure, Landing Light, Strobe Light, Fixed Landing Gear, Nose Gear Strut Fairing, Nose and Main Wheel Fairings
1.6.7 Powerplant and Accessories
Rotax 912 ULS Engine (100 hp), Composite Covered Wood Propeller with Spinner, 12 Volt 18 Ah Battery, 18 Amp Alternator, Engine Driven Fuel Pump, Electric Starter, Engine Exhaust Muffler, Gascolator with Quick Drain, Integral Wing Fuel Tanks, All Electric Circuits Fuse Protected

1.7 Airframe

1.7.1 Wing

The wing is constructed of a central light alloy torque box; an aluminum leading edge with integrated fuel tank is attached to the front spar while flap and aileron are hinged to rear spar. Flaps are constructed of a center spar to which front and rear ribs are joined; wrap-around aluminum skin panels cover the flap structure. The aileron is constructed of an aluminum spar to which a formed sheet metal leading edge and metal ribs are attached; a wrap-around. Aluminium material covers aileron structure.

1.7.2 Fuselage

The front part of the fuselage is made up of a mixed structure: a truss structure with special steel members for cabin survival cell, and a light-alloy semi-monocoque structure for the cabin's bottom section. The aft part of the fuselage is constructed of an aluminum alloy semi-monocoque structure. The engine housing is isolated from the cabin by a stainless steel firewall; the steel stringers engine mount is attached to the cabin's truss structure in four points.

1.7.3 Empennage

The vertical tail is entirely metal: the vertical stabilizer is made up of a twin spar with load carrying skin while the rudder consists of an aluminum torque stringer connected to light alloy ribs and skin. The horizontal tail is an all-moving type (stabilator); its structure consists of an aluminum spar connected to ribs and leading edge; the entire structure is covered with aluminum material.

1.7.4 Flight controls

The control surfaces are manually operated using a control stick for ailerons and stabilator and rudder pedals for the rudder; longitudinal control acts through a system of push-rods and is equipped with a trim tab. Aileron control is of mixed type with push-rods and cables; the cable control circuit is confined within the cabin and is connected to a pair of push-rods positioned in the wings that control ailerons differentially. Aileron trimming is carried out on ground through a small tab positioned on left aileron.

Flaps are extended via an electric servo actuator controlled by a switch on the control stick. Flaps act in a continuous mode; a panel mounted indicator shows surface position. A fuse positioned on the right side of the panel protects the electric circuit.

Longitudinal trim is performed by a small tab positioned on the stabilator and controlled via an electric servo actuator by pushing an Up/Down push-button located on the control stick.

1.7.5 Instrument Panel

The instrument panel is of conventional type, allowing space for a broad range of equipment.

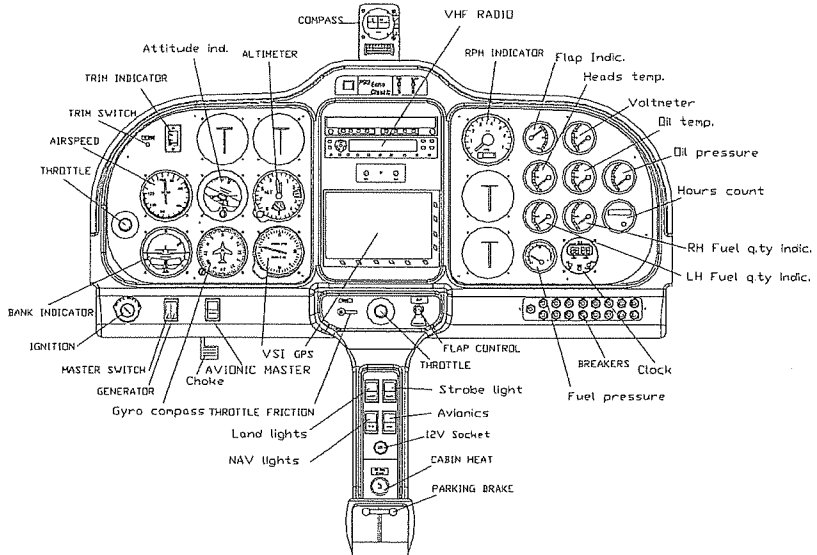


Fig. 1-2 Instrument Panel

1.7.6 Carburetor Heat (Optional)

Carburetor heat control knob is located just to the right of the center throttle control. When the knob is pulled fully outward from the instrument panel, carburetors receive maximum hot air. During normal operation, the knob is OFF.

1.7.7 Cabin Heat / Defrost (Optional)

The cabin heat control knob is positioned on the lower of the instrument panel; when knob is pulled fully outward, cabin receives maximum hot air. Vents are located by the rudder pedals and above instrument panel. If necessary, outside fresh air can be circulated inside cabin by opening the vents on the panel.

1.7.8 Throttle Friction Lock

Adjust the engine's throttle friction by tightening or loosening the friction lock located on the panel near center throttle control.

1.7.9 Seats, Seatbelts, and Shoulder harnesses

The P92 Echo Classic usually comes with three point safety belts with waist and diagonal straps adjustable via a sliding metal buckle. Optional four point harnesses are available.

Flight Manual

Standard seats are aluminum with cushions. Seats are adjustable fore and aft by using the handle located under the seat on the outboard sides. Pushing the lever towards the center of the aircraft will release the locking pin allowing you to move the seat fore and aft. Release the lever when the desired position is found making sure that the locking pin reengages in the seat track.

WARNING

Make sure that the locking pin is securely installed or the seat will not lock in position.

1.7.10 Doors

Standard doors feature a light alloy tubular frame supporting a clear or tinted window. An internal safety latch mechanism is positioned in proximity of door's upper edge and must be used before flight to secure door. Mechanism rotates, before flight, to engage doorframe to cabin tubular framework.

1.7.11 Baggage compartment

The baggage compartment is located behind the seats. Baggage shall be uniformly distributed and its weight shall not exceed 20 kg (44 lbs) and the c.g. must be computed before flight. Always tie down the baggage by using the adjustable tie-down net provided.

1.8 Powerplant**1.8.1 Engine**

Rotax is an Austrian engine manufacturer, founded in 1920 in Dresden, Germany. In 1970 Bombardier bought Rotax. The company constructed only two-stroke engines until 1982, when it started building four-stroke engines. In 1989, Rotax received Type Certification for its 912 A aircraft engine.

The Rotax 912 ULS engine is an ASTM compliant engine. The 912 is a four stroke, horizontally opposed, spark ignition engine with single central camshaft with hydraulic tappets. The 912 has liquid cooled cylinder heads and ram air cooled cylinders and engine. It is rated at 5800 RPM and can be run continuously at 5500 RPM.

The oil system is a dry sump, forced lubrications system. The oil tank is located on the passenger side of the engine compartment and holds 3 liters (3.2 quarts) of oil.

The dual ignition system is a solid state, breakerless, capacitive discharge, interference suppression system instead of a mechanical magneto system. Each ignition system is powered by individual and totally independent AC generators which are not dependent on the aircraft battery.

The electrical system consists of an integrated AC generator with an external rectifier – regulator. An external alternator can be installed. The Rotax engine is equipped with an electric starter.

The dual carburetors are constant depression carburetors that automatically adjust for altitude.

The fuel system is equipped with an engine driven mechanical pump.

The cooling system is a mixture of liquid and air cooling.

The engine uses a reduction gearbox with a gear reduction ratio of 2.4286:1.

Two throttles in the cockpit control the engine. The throttles are bussed together and will not move independently. The two throttles are installed to allow the pilot to fly with either hand as well as giving the pilot the option of using the left hand throttle while operating the center mounted brake handle.

The owner can register and get important information from the following website: <http://www.rotax-owner.com/>

1.8.2 Propeller

The GT propeller is a wood composite propeller built by GT Tonini in Italy. The Tonini brothers began building propellers in 1969.

The propeller is finished with a white polyurethane lacquer and an additional layer of transparent lacquer. The tips are painted in bright yellow and red so that when the propeller is turning it is obvious to personnel on the ground. The back of the propeller is painted black to prevent reflections. More information on the company and the propeller can be found at <http://www.gt-propellers.com>. Check with your dealer for propeller options.

1.8.3 Fuel system

The system is equipped with two aluminum fuel tanks integrated within the wing leading edge and accessible for inspection through dedicated covers. Capacity of individual tank is 45lt (11.9 gal) and total usable fuel is 86.8lt (22.9 gal). Each fuel tank is equipped with a cabin installed shutoff valve. A strainer cup with a drainage valve (Gascolator) is located on the engine side of the firewall. Fuel level indicators for each tank are located on instrument panel. Fuel feed is through an engine-driven mechanical pump. All fuel lines located in the engine compartment are protected with fireproof braiding to avoid possible fire. Figure 1-3 illustrates the schematic of the fuel system.

WARNING

Fuel quantity should be checked on a level surface or a false reading may result. Always visually verify fuel quantity by looking in the tanks.

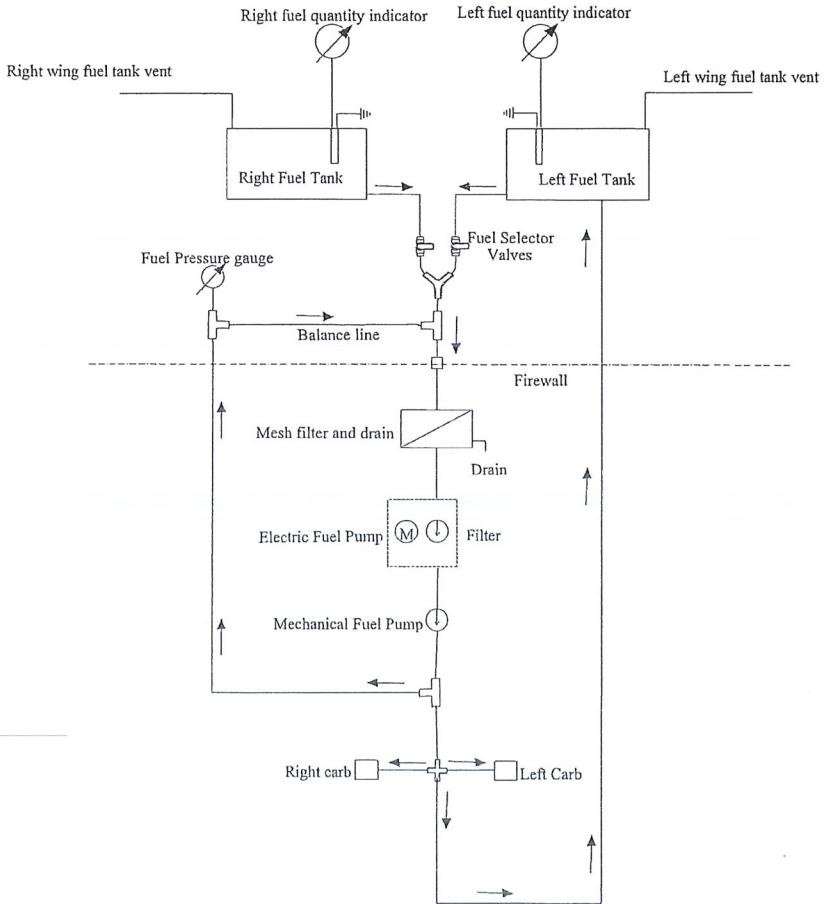


Figure I-3 Fuel System

1.9 Electrical System

The aircraft's electrical system consists of a 12 Volt DC circuit controlled by a Master switch located on the instrument panel. An integrated AC generator provides electricity and a 12 Volt battery placed in the fuselage or in the engine compartment. The generator light is located on the right side of the instrument panel.

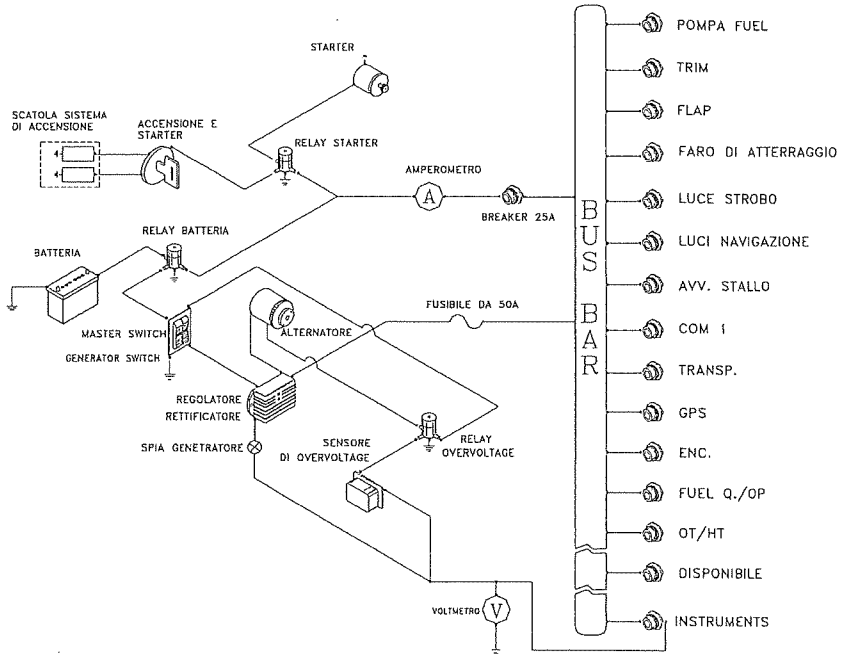


Fig. 1-4 Electrical system schematic

1.9.1 Generator light

Generator light (red) illuminates for the following conditions:

- Generator failure
- Failure of regulator/rectifier, with consequent over voltage sensor set off

NOTE

The battery can support energy requirements for approximately 20 minutes.

1.11 Landing Gear

The main landing gear consists of two special steel spring-leaf struts (1) positioned crossways to fuselage for elastic cushioning of landing loads.

The two steel spring-leaf struts are attached to the fuselage underside via the main girder.

Two rawhide liners (2 3) are inserted between each spring-leaf and the girder. Two bolts (5) and nuts secure the individual spring-leaf to the edge of the girder via a light alloy clamp (4) while a single bolt (6) and nut secures the inboard end of the leaf-spring to the girder.

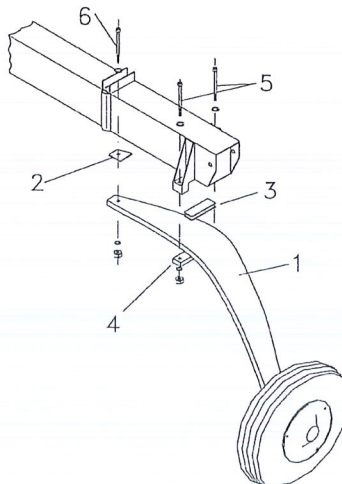


Figure 1-6 Main landing gear

Wheels are cantilevered on gear struts and feature hydraulically actuated disc brakes (see fig. 4-13) controlled by a lever (1) located on cabin tunnel between seats. Main gear wheels mount Air-Trac type 5.00-5 tires inflated at 23 PSI (1,6 bar). Hydraulic circuit shut-off valve (2) is positioned between seats. With circuit shut off, pulling emergency brake lever activates parking brake function.

Braking is simultaneous on both wheels via a "T" shaped joint (6).

Control lever (1) activates master cylinder (3) that features built-in brake-fluid reservoir (4). The brake system is equipped with a non-return valve (5), which insures that braking action is always effective even if parking brake circuit should accidentally be closed.

1.11.1 Brake System

The brake system (see Figure 1-7A) consists of a brake fluid reservoir (1), a master cylinder (2) and two disc brakes assemblies (3); an intercept valve activates parking brake (4). Braking action is through a lever (5) located on cabin tunnel between seats. Hydraulic circuit intercept valve is also located between seats and, when closed with lever pulled, keeps circuit under pressure and aircraft's parking brake on.

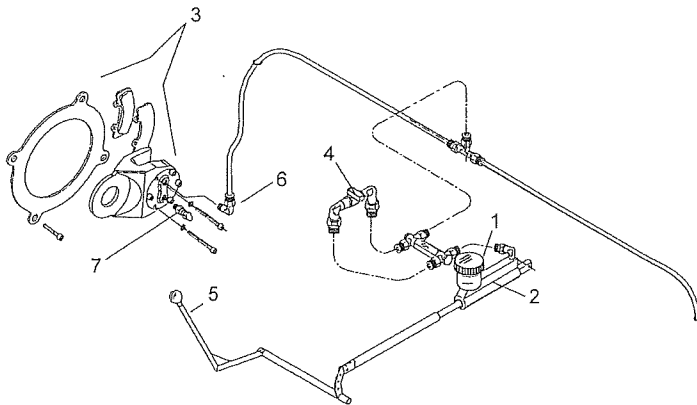


Fig. 1-7A Brake System

1.11.2 Differential Brake System (Optional)

Figure 1-7B shows the brake system schematic diagram.

The left and right wheel brakes are independent systems. The system has a reservoir (4) on the co-pilot's brake pedals (1). The reservoir is directly connected to the brake master cylinders (3). Two flexible hoses connect the master cylinders on the co-pilot's brake pedals to the master cylinders on the pilot's brake pedals.

The parking brake valve (6) is mounted on the floor of the fuselage, below the seats and it's activated by lever (2).

Each main wheel has a brake disc (7).

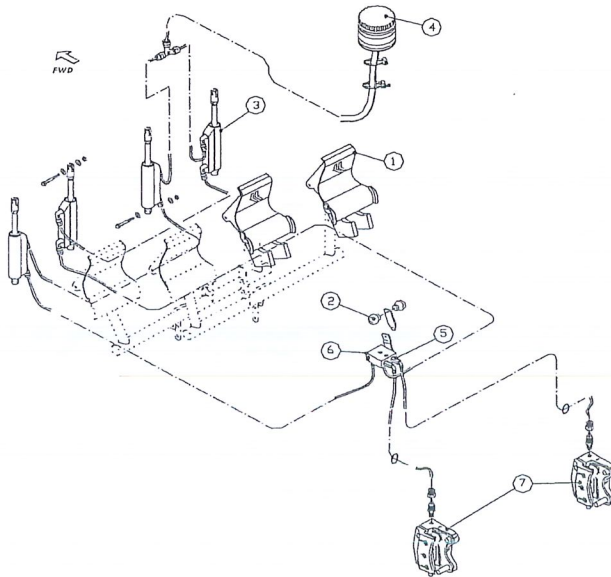


Fig. 1-7B Differential Brake System (Optional)

SECTION 2 OPERATING LIMITATIONS

2 Introduction

Section 3 includes operating limitations, instrument markings, and basic placards necessary for safe operation of the P92 Echo classic, its engine, standard systems and standard equipment.

2.1.1 Airspeed Limitations

Airspeed limitations and their operational significance are shown below:

SPEED		KCAS	KIAS	REMARKS
V _{NE}	Never exceed speed	128	132	Never exceed this speed in any operation
V _{NO}	Maximum Structural Cruising Speed	101	102	Never exceed this speed unless in smooth air, and then only with caution
V _A	Maneuvering speed	84	84	Do not make full or abrupt control movements above this speed as this may cause stress in excess of limit load factor
V _{FE}	Maximum flap extended speed	59	56	Never exceed this speed for any given flap setting
V _{HI}	Maximum speed	117	120	Maximum speed in level flight at max continuous power (MSL)
V _X	Best Angle Climb	59	56	The speed which results in the greatest gain of altitude in a given horizontal distance
V _Y	Best Rate Climb	62	60	The speed which results in the greatest gain of altitude in a given time

2.1.2 Airspeed Indicator Markings

Airspeed indicator markings and their color code are explained in the following table:

MARKING	KIAS	SIGNIFICANCE
White arc	36 – 56	Flap Operating Range (lower limit is 1.1 V _{SO} , at maximum weight and upper limit is maximum speed permissible with full flaps)
Green arc	39– 102	Normal Operating Range (lower limit is 1.1 V _{S1} at maximum weight and flaps at 0° and upper limit is maximum structural speed V _{NO})
Yellow arc	102 – 132	Operations must be conducted with caution and only in smooth air
Red line	132	Maximum speed for all operations

Flight Manual
2.1.3 Powerplant Limitations

The following table lists operating limitations for aircraft installed engine:

Engine manufacturer: Bombardier Rotax GmbH.

Engine model: 912 ULS or S2

Maximum power: (see table below)

	Max Power kW (hp)	Max rpm. rpm prop.(engine)	Time max. (min)
Max.	73.5 (98.5)	2388 (5800)	5
Max cont.	69 (92.5)	2265 (5500)	-

NOTE

Static engine rpm should be 5100 ± 250 under no wind conditions.

2.1.4 Temperatures

Max cylinder heads	135° C
Max coolant	120° C
Max. / min. Oil	50° C / 130° C
Oil normal operating temperature (approx.)	90° C – 110° C

2.1.5 Oil Pressure

Minimum	0.8 bar	Below 3500 RPM
Normal	2.0 - 5.0 bar	Above 3500 RPM

2.1.6 Operating & starting temperature range

OAT Min	-25° C
OAT Max	+50° C

Warning

Admissible pressure for cold start is 7 bar maximum for short periods.

For your information

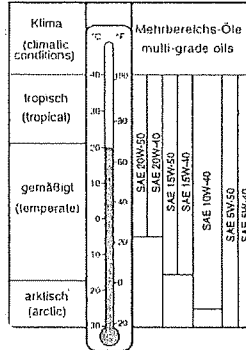
Bar is a unit of measure. The word comes from the Greek baros, "weighty." We see the same root in our word, barometer, for an instrument measuring atmospheric pressure. One bar is just a bit less than the average pressure of the Earth's atmosphere, which is 1013.25 bar. In practice, meteorologists generally record atmospheric pressure in millibars (mb). In English-speaking countries, barometric pressure is also expressed as the height, in inches, of a column of mercury supported by the pressure of the atmosphere. In this unit, one bar equals 29.53 inches of mercury (in Hg) or 14.5 PSI.

2.1.7 Fuel Pressure

Min	0.15 bar (2.2 PSI)
Max	0.40 bar (5.8 PSI)

Flight Manual
2.1.8 Lubricant
Viscosity

Use viscosity grade oil as specified in the following table:


Warning
Admissible pressure for cold start is 7 bar maximum for short periods
Warning
Use of Aviation Grade Oil with or without additives is not permitted
2.1.9 Coolant

Coolant type and specifications are detailed into the "Rotax Operator's Manual" and in its related documents.

2.1.10 Propeller

Manufacturer:	GT Tonini
Model:	GT-2/173/VRR-SRTC FW 101
Propeller type:	Wood twin blade fixed pitch
Diameter:	1730 mm (68") (no reduction permitted)

2.1.11 Fuel

Two tanks:	45 liters (11.9 gallons)
Total fuel capacity:	90 liters (23.8 gallons)
Usable fuel quantity:	86.8 liters (22.9 gal)

NOTE

During all phases of flight, both tanks normally supply engine fuel feed

Warning
Compensate for uneven fuel tank levels by closing the fuel valve on the tank with more fuel making sure that one fuel valve is in the on position at all times.

2.1.12 Approved Fuel

Min. RON 95 (AKI 91 Premium USA)
AVGAS 100LL (see Warning below)

Warning

Prolonged use of Aviation Fuel Avgas 100LL results in greater wear of valve seats and greater combustion deposits inside cylinders due to higher lead content. It is therefore suggested to avoid using this type of fuel unless strictly necessary.

2.1.13 Powerplant Instrument Markings

Powerplant instrument markings and their color code significance are shown below:

Instrument		Red line Minimum limit	Green arc Normal operating	Yellow arc Caution	Red line Maximum limit
Engine Tach	Rpm	-----	1400-5500	5500-5800	5800
Oil Temp.	°C	50	90-110	50 - 90 110-130	130°C
Cylinder heads temp.	°C	-----	50 - 135	-----	135°C
Oil pressure	Bar	0.8	2 - 5	0.8 - 2 5 - 7	7
Fuel Pressure	PSI	2.2	2.2 - 5.8		5.8

2.1.14 Other Instrument Markings

Instrument	Red line Minimum limit	Green arc Normal operating	Yellow arc Caution	Red line Maximum limit
Voltmeter	10 Volt	12 - 14 Volt	----	----
Suction gauge (if installed)	4.0 in. Hg	4.5 - 5.5 in. Hg	----	----

2.1.15 Weights

Maximum takeoff weight:	600 kg (1320 lbs)
Maximum landing weight:	600 kg (1320 lbs)
Maximum baggage weight:	20 kg (44 lbs)

2.1.16 Center of Gravity Limits

Forward limit	20% MAC 1.642 m (64.64") aft of datum for all weights
Aft limit	33% MAC 1.782 m (70.16") aft of datum for all weights
Datum	Propeller support flange w/o spacer
Bubble Level	Cabin floor

Warning

It is the pilot's responsibility to insure that airplane is properly loaded

Flight Manual
2.1.17 Approved Maneuvers

This aircraft is intended for non-aerobatic operation only. Non-aerobatic operation includes:

- Any maneuver pertaining to "normal" flight
- Stalls (except whip stalls)
- Lazy eights
- Chandelles
- Turns in which the angle of bank is not more than 60°
- Acrobatic maneuvers are not approved
- 1 ½ turn spins for flight instruction only with trained CFI

Recommended entry speeds for each approved maneuver are as follows:

Maneuver	Speed (KIAS)	Speed (KCAS)
Lazy eight	84	84
Chandelle	84	84
Steep turn (max 60°)	84	84
Stall / Spin	Slow deceleration (1 Knots/sec)	

Warning

Limit load factor could be exceeded by moving the flight controls abruptly to full control deflection at a speed above V_A (84 KIAS [84 KCAS] , Maneuvering Speed).

2.1.18 Maneuvering Load Factor Limits

Maneuvering load factors are as follows:

Flaps		
0°	+4	-2
35°	+1.9	0

2.1.19 Flight Crew

Minimum crew for flight is one pilot seated on the left side.

2.1.20 Kinds of Operations

The airplane, in standard configuration, is approved only for day VFR operation with terrain visual contact. Minimum equipment required is as follows:

- Altimeter
- Airspeed Indicator
- Heading Indicator
- Fuel Gauges
- Oil Pressure Indicator
- Oil Temp. Indicator
- Cylinder Heads Temp. Indicator
- Outside Air Temp. indicator
- Tachometer
- Chronometer
- First Aid Kit
- Hand-held fire extinguisher
- Emergency hammer

For further standard equipment refer to section 6.

Flight into expected and/or known icing conditions is prohibited.

NOTE

*Additional equipments may be asked to fulfill national or specific requirements.
It's a responsibility of the continued airworthiness manager to be compliant with these requirements.*

2.1.21 Day VFR

The airplane, in standard configuration, is approved only for day VFR operations under VMC:

- Altimeter
- Airspeed Indicator
- Compass
- Fuel Gauges
- Oil Pressure Indicator
- Oil Temp. Indicator
- Cylinder Head Temp. Indicator
- Tachometer

Flight into expected and/or known-icing conditions is prohibited

2.1.22 Night

Night flight is approved if the aircraft is equipped as per the ASTM standard F2245-06 A2 - LIGHT AIRCRAFT TO BE FLOWN AT NIGHT as well as any pertinent FAR.

NOTE

The FAA requires that the pilot possesses a minimum of a Private Pilot certificate and a current medical to fly at night. See the FARs for more information.

2.1.23 IFR

TBA

2.1.24 Demonstrated Crosswind Safe Operations

Demonstrated crosswind component is 15 knots.

2.1.25 Service Ceiling

13,110'

2.1.26 Limitation Placards

See Section 8

SECTION 3

WEIGHT & BALANCE

3 Introduction

This section describes the procedure for establishing the basic empty weight and moment of the aircraft. Loading procedure information is also provided.

3.1 Aircraft weighing procedures

3.1.1 Preparation

- Carry out weighing procedure inside closed hangar
- Remove from cabin any objects left unintentionally
- Insure Flight Manual is on board
- Align nose wheel
- Drain fuel via the specific drain valve
- Oil, hydraulic fluid and coolant to operating levels
- Move sliding seats to most forward position
- Raise flaps to fully retracted position (0°)
- Place control surfaces in neutral position
- Place scales (min. capacity 200 kg 440 pounds) under each wheel
- Level the aircraft using cabin floor as datum
- Center bubble on level by deflating nose tire
- Record weight shown on each scale
- Repeat weighing procedure three times

3.1.2 Calculate empty weight Weighing

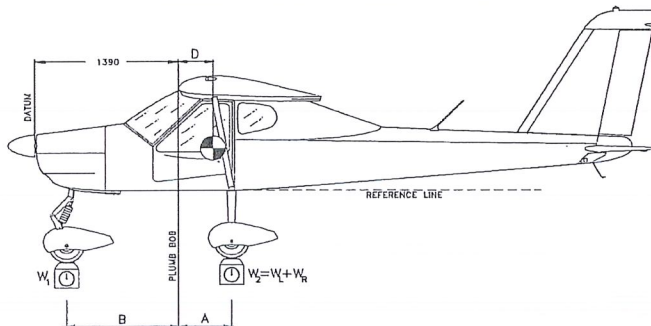
- Record weight shown on each scale
- Repeat weighing procedure three times
- Calculate empty weight

3.1.3 Determination of C.G. location

- Drop a plumb bob tangent to the leading edge (in non-tapered area of one half-wing, approximately one meter from wing root) and trace reference mark on the floor.
- Repeat operation for other half-wing.
- Stretch a taut line between the two marks
- Measure the distance between the reference line and main wheel axis
- Using recorded data it is possible to determine the aircraft's C.G. location and moment (see following table)

3.2 Weighing report

Model P92 Echo classic _____ S/N _____ Date _____



Datum: Propeller support flange w/o spacer. - Equipment list, date: _____

	Kg		meters
Nose wheel weight	$W_1 =$	Plumb bob distance LH wheel	$A_L =$
LH wheel weight	$W_L =$	Plumb bob distance RH wheel	$A_R =$
RH wheel weight	$W_R =$	Average distance $(A_L + A_R)/2$	$A =$
$W_2 = W_L + W_R =$		Bob distance from nose wheel	$B =$

 Empty weight ⁽¹⁾ $W_e = W_1 + W_2 =$

$$D = \frac{W_2 \cdot A - W_1 \cdot B}{W_e} = \quad m \quad D\% = \frac{D}{1.4} \cdot 100 =$$

 Empty weight moment: $M = [(D+1.390) W_e] = \quad Kg \cdot m$

Maximum takeoff weight	$W_T =$ 600 kg
Empty weight	$W_e =$
Maximum payload $W_T - W_e$	$W_u =$

Sign: _____

1 - Including unusable fuel (2.3 kg).

3.2.1 Center of Gravity Limits

Forward limit	20% MAC 1.642 m (64.64")
Aft limit	33% MAC 1.782 m (70.16")
Datum	Propeller support flange w/o spacer
Bubble Level	Cabin floor

3.2.2 Distances from the datum

The mean distances of the occupants, baggage and fuel from the datum are:

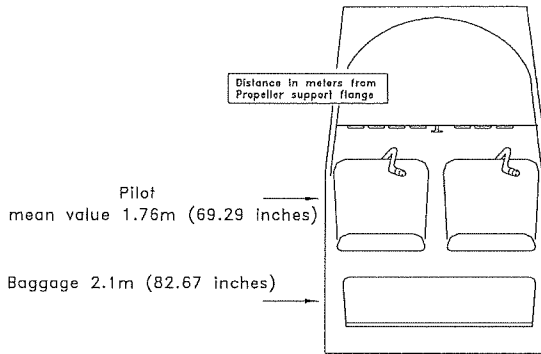


Figure 3-4

3.3 Weight and Balance

In order to compute the weight and balance of this aircraft, we have provided the following loading charts. This will reduce the amount of math you need. To compute weight and balance use the formula:

$$\text{Weight} * \text{Arm} = \text{Moment.}$$

Pilot & Passenger				Fuel			Baggage	
Weight	Moment			Gallons	Weight	Moment	Weight	Moment
10	692,95	260	18016,63	1	6	392,15	5	435,06
20	1385,89	270	18709,57	2	12	784,29	10	870,12
30	2078,84	280	19402,52	3	18	1176,44	15	1305,18
40	2771,79	290	20095,47	4	24	1568,58	20	1740,24
50	3464,74	300	20788,42	5	30	1960,73	25	2175,30
60	4157,68	310	21481,36	6	36	2352,87	30	2610,36
70	4850,63	320	22174,31	7	42	2745,02	35	3045,42
80	5543,58	330	22867,26	8	48	3137,16	40	3480,48
90	6236,52	340	23560,20	9	54	3529,31	44	3828,53
100	6929,47	350	24253,15	10	60	3921,45		
110	7622,42	360	24946,10	11	66	4313,60		
120	8315,37	370	25639,05	12	72	4705,74		
130	9008,31	380	26331,99	13	78	5097,89		
140	9701,26	390	27024,94	14	84	5490,03		
150	10394,21	400	27717,89	15	90	5882,18		
160	11087,16	410	28410,84	16	96	6274,32		
170	11780,10	420	29103,78	17	102	6666,47		
180	12473,05	430	29796,73	18	108	7058,61		
190	13166,00	440	30489,68	19	114	7450,76		
200	13858,94	450	31182,62	20	120	7842,90		
210	14551,89	460	31875,57	21	126	8235,05		
220	15244,84	470	32568,52	22	132	8627,19		
230	15937,79	480	33261,47	23	138	9019,34		
240	16630,73	490	33954,41	24	144	9411,48		
250	17323,68	500	34647,36	25	150	9803,63		
				26	156	10195,77		

Meters	Inches	
1,64	64,64	Fuel
1,78	70,16	Pax
2,10	82,67	Baggage

To computer weight and balance:

1. Get moments from loading charts
2. Obtain the empty weight and moment from the most recent weight and balance
3. Insert the weights and the moments for fuel, occupants and baggage from the previous chart
4. Total the weight and the moment columns
5. Divide the total moment by the total weight to get the arm
6. Check that the total weight does not exceed maximum gross weight of 1320 pounds
7. Check that the arm falls within the C.G. range

Computation Chart	Weight (lbs)	Arm (inches)	Moment
Empty Weight			
Fuel		65,36	
Pilot & Passenger		69,29	
Baggage		87,01	
Totals			

C.G. Range		
Meters	1,640	1,780
Inches	64,64	70,16
Max Weight	Pounds	Kilograms
	1320,00	600,00

Example Problem	Weight (lbs)	Arm (inches)	Moment
Empty Weight	748,9	67,79	50767,93
Fuel	150,0	65,36	9803,63
Pilot & Passenger	300,0	69,29	20788,42
Baggage	20,0	87,01	1740,24
Totals	1218,9	68,18	83100,22

In this example, the gross weight is under the max gross weight of 1280 pounds and the Arm or C.G. is within the C.G. range listed above.

3.3.1 Loading

Baggage compartment is designed for a maximum load of 44 pounds. Baggage size shall prevent excessive loading of utility shelf (maximum pressure 12.5 kg/dm²). Maximum baggage size is: 80x45x32 cm . Baggage shall be secured using a tie-down net to prevent any baggage movement during maneuvers.

3.4 Equipment List

The following is a comprehensive list of TECNAM standard and optional supplied equipment for the P92 Echo Classic.

The list consists of the following groups:

- A. Engine and accessories
- B. Landing gear
- C. Electrical system
- D. Instruments
- E. Avionics

The following information describes each listing:

- Part-number to uniquely identify the item type
- Item description
- Serial number

Equipment list		Date:	
Ref.	Description & p/n	Weight kg	Datum m
Engine & accessories			
A1	Engine Rotax 912S2 or 912ULS	61.0	0.32
A2	Propeller Tonini GT-2/173/VRR-SRTC FW101	6.0	-0.13
A3	Exhaust and manifolds - p/n 973670	4.50	0.55
A4	Heat exchanger - p/n 92-11-830	2.00	0.55
A5	Oil Reservoir (full) - p/n 956.137	4.00	0.64
A6	Oil radiator - p/n 886 025	0.40	0.07
A7	Liquid coolant radiator. - p/n 995.697	0.90	0.33
A8	Air filter K&N - p/n 33-2544	0.40	0.58
Landing gear and accessories			
B1	Main gear spring-leafs - p/n 92-8-300-1	5.700	1.94
B2	Main gear wheel rims. - Cleveland 40-78B	2.050	1.94
B3	Main gear tires.-Air Trac 5.00-5 AA1D4	2.580	1.94
B4	Disk brakes – Marc Ingegno	0.800	1.94
B5	Nose gear wheel rim - p/n 92-8-880-1	1.300	0.310
B6	Nose gear tire - Sava 4.00-6	1.200	0.460
B7	Nose gear fairing p/n 92-8-410-1/2	1.500	0.460
B8	Main gear fairing p/n 92-8-420-1/2	1.500	1.930
B9	Nose gear shock p/n 92-8-200-000	1.450	0.465

Equipment list		Date:	
Ref.	Description & p/n	Weight kg	Datum m
Electrical system			
C1	Battery FIAMM 6H4P 12V 18Ah	6.00	0.71
C2	Regulator, rectifier - p/n 945.345	0.20	0.82
C3	Battery relay - p/n 111-226-5	0.30	2.59
C4	Flaps actuator control - CALA33X150/c21A	2.20	2.30
C5	Trim actuator control MAC6A	0.40	5.73
C6	Overvoltage sensor OS75-14 or ZEPTRONICS V1510A	0.30	0.80
C7	Strobe light - AS A555A-V-14V	0.15	5.89
C8	Navigation lights - AS W1285	0.15	1.75
C9	Stall warning - AS 164R	0.10	1.36
C10	Landing light - AS GE 4509	0.50	1.38
C11	Electric Fuel Pump - Facet 478360	0.28	0.60
Instruments			
D1	Altimeter United Instruments p/n 5934PM-3 or LUN 1128.10B4 -TSO C10b	0.39	1.35
D2	Airspeed Ind. - UMA T6-311-161 - TSO C2b	0.30	1.35
D3	Compass - Airpath C2300- TSO	0.29	1.35
D4	Clock - Quartz Chronometer LC2 AT420100	0.15	1.35
D5	Vertical speed indicator - VS1 2FM-3	0.35	1.35
D6	Turn and Bank Indicator - FALCON GAUGER TC02E-3-1	0.56	1.35
D7	Attitude Indicator - GH-02V-3	1.10	1.35
D8	Directional Gyro - FALCON GAUGER DG02V-3	1.10	1.35
D9	OAT Indicator - VDO 397035001G	0.05	1.35
D10	Oil & head temp. Indicator VDO 641-011-7047/-7048	0.10	1.35
D11	Oil Temp. Ind. - VDO 644-001-7030	0.10	1.35
D12	Trim Position Indicator -MAC S6A	0.05	1.35
D13	Engine RPM Ind. Aircraft Mitchell. D1-112-5041	1.10	1.35
D14	Fuel Quantity Ind. Road GmbH XID4000800	0.56	1.35
D15	Voltmeter Ind. VDO 190-037-001G or Speed Com Instruments 0203	0.10	1.35
D16	Fuel Pressure Ind. Mitchell Aircraft Inst. 10-25-058	0.10	1.35

SECTION 4 PERFORMANCE

4 Introduction

This section provides all necessary data for accurate and comprehensive planning of flight activity from takeoff to landing. Data reported in graphs and/or tables were determined using:

- "Flight test data" with conditions as prescribed by ASTM and bilateral agreements
- Aircraft and engine in good condition
- Average piloting techniques

Each graph or table was determined according to ICAO Standard Atmosphere (ISA - MSL); evaluations of the impact on performance were carried out by theoretical means for:

- Airspeed
- External temperature
- Altitude
- Weight
- Type and condition of runway

4.1 Use of Performance Charts

Performance data is presented in tabular or graphical form to illustrate the effect of different variables such as altitude, temperature and weight. Given information is sufficient to plan journey with required precision and safety. Additional information is provided for each table or graph.

4.2 Airspeed Indicator System Calibration

Graph shows calibrated airspeed V_{CAS} as a function of indicated airspeed V_{IAS}

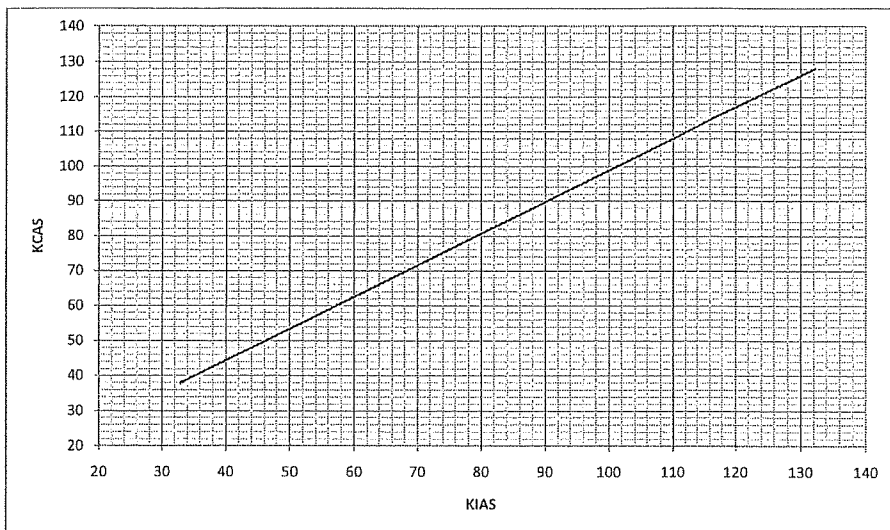


Fig. 4-1 Calibrated vs. Indicated Airspeed

4.3 ICAO Chart

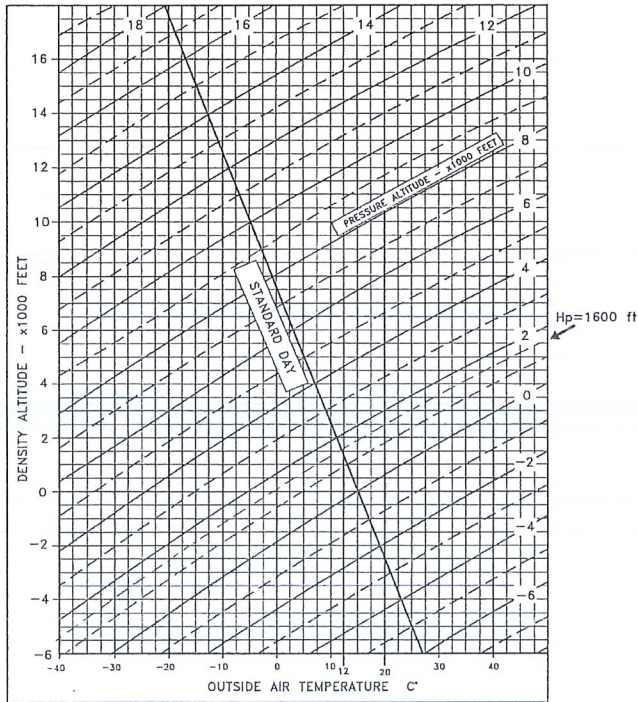


Fig. 4-2 ICAO CHART

4.4 Stall Speeds

Conditions:

- Weight 600 kg (1320 lbs)
- Throttle: idle
- No ground effect

NOTE

Altitude loss during conventional stall recovery as demonstrated during test flights is approximately 100ft with banking under 30°.

FLAPS	LATERAL BANKING							
	0°		30°		45°		60°	
	KIAS	KCAS	KIAS	KCAS	KIAS	KCAS	KIAS	KCAS
0°	37	42	42	44	46	48	55	57
15°	35	40	41	42	43	45	53	54
35°	33	38	38	39	42	43	49	51

4.5 Crosswind

Maximum demonstrated crosswind velocity is 15 knots

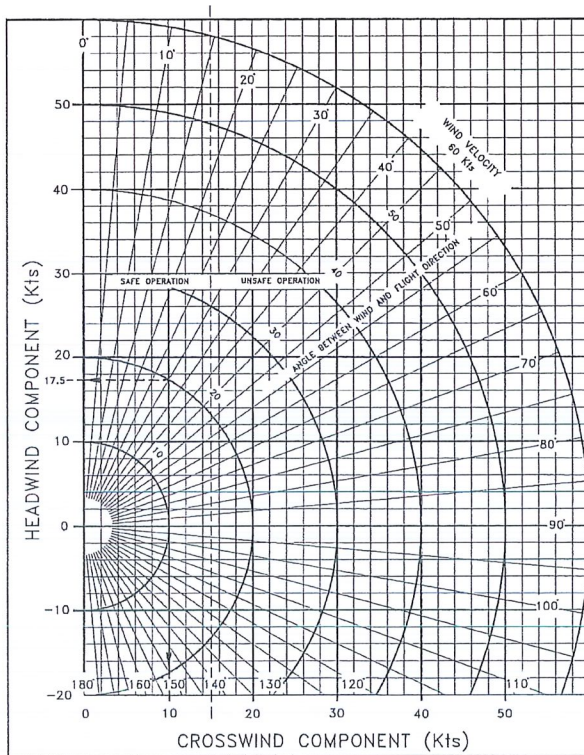


Fig. 4-3 Crosswind chart

4.6 Takeoff Performance

TAKEOFF DISTANCE

Conditions:

Flaps: 15°	Runway: dry, compact, grass
Engine: full throttle	Slope: 0° Wind: zero
Vr = 41 KIAS [45KCAS]	VLo = 44 KIAS [48KCAS]
Vx flaps 15 = 56 KIAS [59KCAS]	R/C ≥ 200 ft/min

Decrease distances by 10% for each 10 Knots of headwind. Increase distances by 20 % for each 10 Knots of tailwind
 For dry and paved runway operation decrease ground run by 6 %.

⇒ Example:

Given	Find
O.A.T. = 15°C	TOD = 253m (830 ft)
Pressure altitude = 2900 ft	TOR = 117m (383 ft)
Weight = 450 Kg (990)	

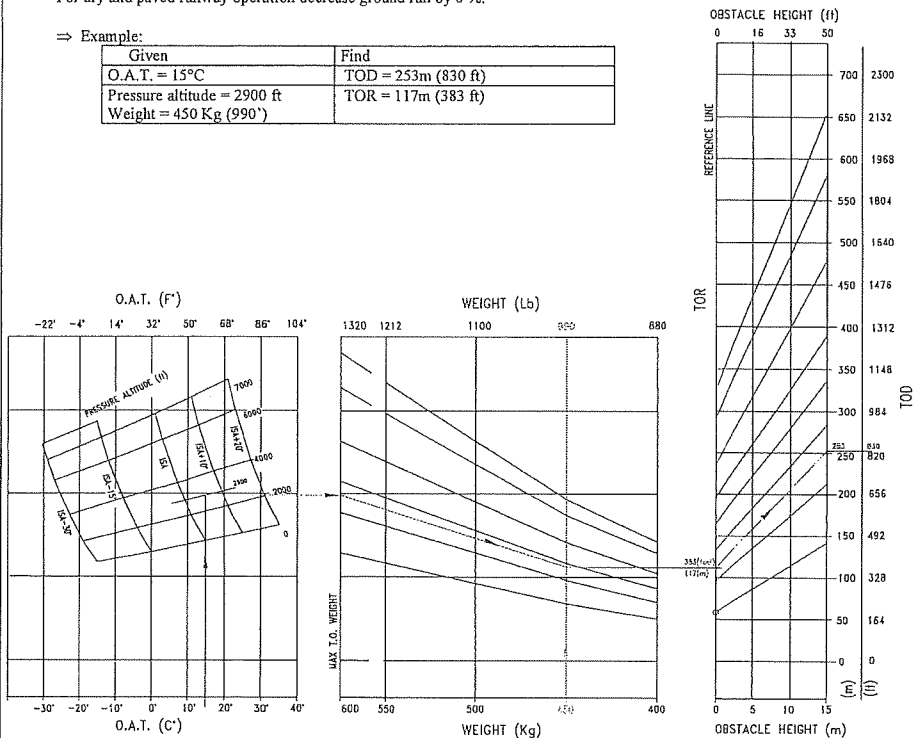


Fig. 5-4 Takeoff performance

4.7 Landing Distance

CONDITIONS:

Maximum weight = 600 kg (1320 lbs)

Brakes: maximum braking

Slope: 0°

Conditions: ISA

Engine: throttle idle

Runway: dry, compact grass

Wind: zero

Flaps: 35°

NOTE
Decrease distances by 10% for each 10 Knots of headwind. Increase distances by 20 % for each 10 Knots of tailwind;
For dry and paved runway operation increase ground run by 10%
If it becomes necessary to land without flap extension (flap malfunction), increase approach speed by 10 Knots, increase by landing distance by 40% distance pertaining to flap setting at 35° .

HP (ft)	0	1000	2000	3000	4000	5000	6000	7000
GR (m)	115	118	122	125	129	133	137	141
GR (ft)	377	387	400	409	422	446	448	463
LD (m)	285	294	299	304	308	314	321	324
LD (ft)	915	966	981	996	1011	1029	1052	1064

HP = pressure altitude

GR = ground run

LD = 50' obstacle

4.8 Climb Performance

CLIMB RATE IN CLEAN CONFIGURATION

CONDITIONS:

- Flap: 0°
- Engine: Full throttle
- $V_y = 60$ KIAS [62KCAS]

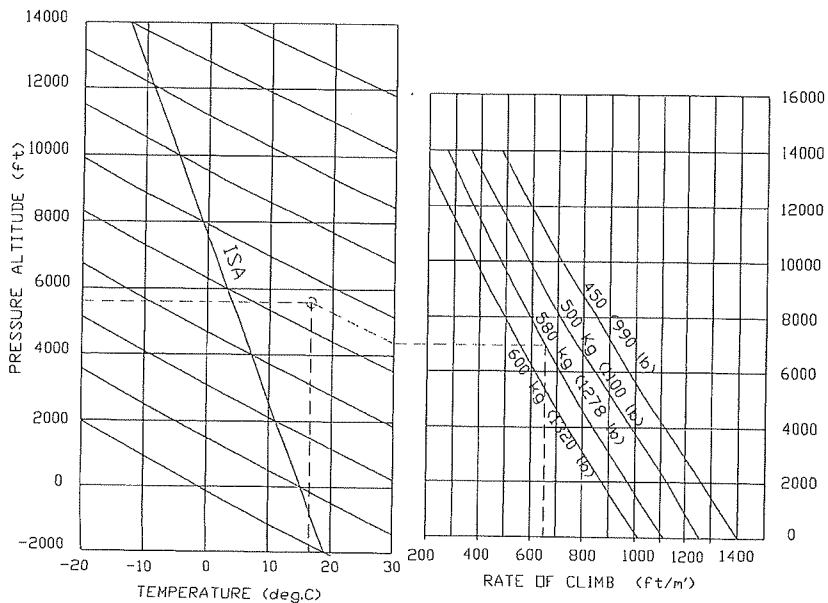


Fig. 5-5 CLIMB

⇒ Example:

Given
 O.A.T. = 17°C
 Pressure altitude = 5600 ft
 Weight = 580 Kg (1279 lb)

Find
 Rate of climb = 654 ft/min

4.9 Cruise

Maximum takeoff weight = 600 kg (1320 lbs)

Fuel tanks 2x45 liters (11.9 gal) (less the unusable fuel)

 Pressure altitude H_p : 0 ft OAT: +15°C

Engine RPM	Speed KTAS	Consumption (gal/h)	Endurance (hrs)	Range (N.m.)	
55%	4600	96	4	5.8	599
65%	5000	102	4.8	4.9	495
75%	5200	108	5.3	4.4	472

 Pressure altitude H_p : 2000 ft OAT: +11°C

Engine RPM	Speed KTAS	Consumption (gal/h)	Endurance (hrs)	Range (N.m.)	
55%	4600	98	4	5.8	571
65%	5000	106	4.8	4.9	515
73%	5200	109	5.2	4.6	501

 Pressure altitude H_p : 4000 ft OAT: +7°C

Engine RPM	Speed KTAS	Consumption (gal/h)	Endurance (hrs)	Range (N.m.)	
55%	4600	101	4	5.8	588
60%	5000	105	4.5	5.1	540
70%	5200	110	4.9	4.7	520

 Pressure altitude H_p : 6000 ft OAT: +3°C

Propeller RPM	Speed KTAS	Consumption (gal/h)	Endurance (hrs)	Range (N.m.)	
55%	5000	104	4	5.8	606
60%	5200	108	4.5	5.1	556

* Range and endurance are intended approximate and referred to a "zero" wind condition.

 Pressure altitude H_p : 8000 ft OAT: -0.8°C

Propeller RPM	Speed KTAS	Consumption (gal/h)	Endurance (hrs)	Range (N.m.)	
55%	5150	99	4	5.8	578
58%	5200	102	4.3	5.4	556

 Pressure altitude H_p : 10000 ft OAT: -5°C

Propeller RPM	Speed KTAS	Consumption (gal/h)	Endurance (hrs)	Range (N.m.)	
55%	5200	100	4	5.8	585

 Pressure altitude H_p : 12000 ft OAT: -9°C

Propeller RPM	Speed KTAS	Consumption (gal/h)	Endurance (hrs)	Range (N.m.)	
50%	5200	98	3.7	6.2	617

4.10 Balked Landing

RATE OF CLIMB: BALKED LANDING

CONDITIONS:

Maximum weight = 600 kg (1320 lb)

Engine: full throttle

Flaps: 35°

V_{x15} flaps = 48 KIAS [47 KCAS]

NOTE

During balked landing maneuver, flaps should be retracted immediately after applying full power.

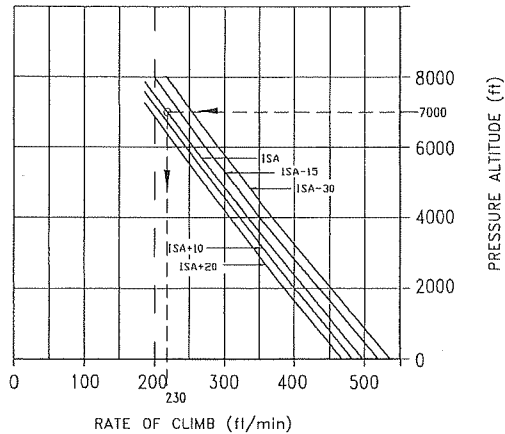


Fig.5-6. BALKED LANDING

4.11 Effects of Rain and Insects

Flight tests have demonstrated that neither rain nor insect impact build-up on leading edge has caused substantial variations on aircraft's flight qualities.

4.12 Noise Data

Noise level was determined according to JAR-36 Sub. C Ed.23 May 1997 ICAO/Annex 16 Chap.10 Issue 1993, and resulted equal to 63,6 dB.

SECTION 5

EMERGENCY PROCEDURES

5 Introduction

Section 6 includes checklists and detailed procedures to be used in the event of emergencies. Emergencies caused by a malfunction of the aircraft or engine is extremely rare if appropriate maintenance and pre-flight inspections are carried out. In case of emergency, suggestions of the present section should be considered and applied as necessary to correct the problem.

Before operating the aircraft, the pilot should become thoroughly familiar with the present manual and, in particular, with the present section. Further, a continued and appropriate training program should be provided.

In case of emergency the pilot should act as follows:

- Keep control of the airplane
- Analyze the situation
- Apply the pertinent procedure
- Inform the Air Traffic Control if time and conditions allow

AIRSPEEDS FOR SAFE OPERATION IN EMERGENCY SITUATIONS - KIAS		KCAS
Engine failure after takeoff (15 degrees of flaps)	59 Knots	56 Knots
Engine failure during flight	60 Knots	62 Knots
Maneuvering speed	84 Knots	84 Knots
Maximum glide	60 Knots	62 Knots

5.1 Engine Failures

If an emergency arises, the basic guidelines described in this section should be considered and applied as necessary to correct the problem.

5.1.1 Engine Failures on Ground

5.1.1.1 ENGINE FAILURE DURING TAKEOFF RUN

Throttle:..... IDLE
 Brakes:..... APPLY AS NEEDED
 Ignition Switches:..... OFF
 Master switch:..... OFF
When the airplane is under control
 Fuel selector valves:..... OFF

5.1.2 Engine Failure during Flight

5.1.2.1 ENGINE FAILURE IMMEDIATELY AFTER TAKEOFF

Airspeed:..... 59 KIAS [56KCAS]
 Find a suitable place on the ground to land safely. The landing should be planned straight ahead with only small changes in directions not exceeding 45° to the left or 45° to the right
 Flaps:..... AS REQUIRED
 Throttle:..... AS REQUIRED
At touch down
 Ignition Switches:..... OFF
 Master switch:..... OFF
 Fuel selector valves:..... OFF

5.1.2.2 IRREGULAR ENGINE RPM

Throttle:..... CHECK
 Engine gauges:..... CHECK
 Fuel quantity indicators:..... CHECK
 Carburetor heat:..... ON
If the engine continues to run irregularly:
 Fuel selector valve:..... BOTH ON
If the engine continues to run irregularly:
 Land as soon as possible

5.1.2.3 LOW FUEL PRESSURE

If the fuel pressure indicator falls below the (0.15 bar) limit:
 Fuel quantity indicators:..... CHECK
If the engine continues to run irregularly:
 Fuel selector valves:..... BOTH ON
If the fuel pressure continues to be low:
 Land as soon as possible

5.1.2.4 LOW OIL PRESSURE

Oil temperature:..... CHECK

If the temperature tends to increase:

If stable within the green arc:..... LAND as soon as possible

If increasing:..... LAND as soon as possible and be alert for impending engine failure

5.1.2.5 IN-FLIGHT ENGINE RESTART

Altitude:..... Preferably below 4000 ft

Carburetor heat:..... ON

Fuel selector valves:..... BOTH ON

Throttle:..... MIDDLE POSITION

Ignition switches:..... ON

Master Switch:..... START

If the restart attempt fails:

Procedure for a forced landing:..... APPLY

In case of an engine restart:

Land as soon as possible

5.1.2.6 ENGINE OUT GLIDE

Flaps:..... RETRACT

Speed:..... 60 KIAS [62 KCAS]

Electric equipments:..... OFF

In-flight engine restart:..... If conditions permit, try to restart several times

NOTE

Glide ratio is 12.8 therefore with 1000 ft of altitude; it is possible to cover ~2 nautical miles in zero wind conditions.

5.2 Smoke and Fire
5.2.1 Engine Fire while parked

Fuel selector valves:..... OFF

Ignition Switches:..... OFF

Master switch:..... OFF

Parking brake:..... SET

Escape rapidly from the aircraft

5.2.2 Engine Fire during Takeoff

Throttle:..... IDLE

Brakes:..... AS NEEDED

With the airplane is under control:

Fuel selector valves:..... OFF

Cabin heating:..... OFF

Ignition Switches:..... OFF

Master switch:..... OFF

Parking brake:..... SET

Escape rapidly from the aircraft

5.2.3 Engine Fire in-flight

Cabin heat:..... OFF

Fuel selector valves:..... OFF

Throttle:..... FULL IN until the engine stops running

Flight Manual

Cabin vents: OPEN
 Ignition Switches: OFF
Do not attempt an in-flight restart
 Procedure for a forced landing: APPLY

5.2.4 Cabin Fire during Flight

Cabin heat: OFF
 Cabin vents: OPEN
 Doors: OPEN, if necessary
 Master switch: OFF
 Try to choke the fire. Direct the fire extinguisher towards flame base
 Procedure for a forced landing: APPLY

5.3 Landing Emergency
FORCED LANDING WITHOUT ENGINE POWER

Establish: 60 KIAS [62 KCAS]
 Locate most suitable terrain for emergency landing, upwind if possible
 Fuel selector valves: OFF
 Ignition Switches: OFF
 Safety belts: TIGHTEN
 Doors: UNLATCHED
Landing assured:
 Flaps: AS NECESSARY
 Master switch: OFF
 Touchdown Speed: 42 KIAS [37KCAS]

POWER-ON FORCED LANDING

Descent: ESTABLISH
 Establish: 60 KIAS [62KCAS]
 Flaps: AS NECESSARY
 Select terrain area most suitable for emergency landing and flyby checking for obstacles and wind direction
 Safety belts: TIGHTEN
 Doors: UNLOCK
Landing assured:
 Flaps: AS NECESSARY
 Fuel selector valves: OFF
 Ignition Switches: OFF
 Master switch: OFF

LANDING WITH A FLAT NOSE TIRE

Pre-landing checklist: COMPLETE
 Flaps: FULL
 Land and maintain aircraft NOSE HIGH attitude as long as possible

LANDING WITH A FLAT MAIN TIRE

Pre-landing checklist: COMPLETE
 Flaps: FULL

NOTE

Align the airplane on the opposite side of runway to the side with the defective tire to compensate for change in direction, which is to be expected during final rolling.

Touchdown with the GOOD TIRE FIRST and hold aircraft with the flat tire off the ground as long as possible.

5.4 Recovery from Unintentional Spin

Power: IDLE
 Ailerons: NEUTRAL (and Flaps Up)
 Rudder: FULL OPPOSITE
 Elevator: THROUGH NEUTRAL

HOLD THESE INPUTS UNTIL ROTATION STOPS, THEN:

Rudder: NEUTRAL
 Elevator: RECOVER

NOTE

Use elevator control to recover to straight and level or a climbing attitude
NOTE

The first letter in each of the four primary recovery inputs spells out the acronym, PARE (pronounced "pair"). PARE is a convenient memory aid that points the way to spin recovery. The PARE format mimics the most docile spin configuration possible, affording the greatest response to recovery inputs. Errant control inputs that may aggravate the spin are avoided in the process. As a mental checklist, it forces you to focus on the appropriate recovery actions. Calling each item out loud also tends to reinforce the physical inputs.

5.5 Other Emergencies

5.5.1 UNINTENTIONAL FLIGHT INTO ICING CONDITIONS

Get away from icing conditions by changing altitude or direction of flight in order to reach an area with warmer external temperature.

Carburetor heat: ON
 Increase rpm to avoid ice formation on propeller blades.
 Cabin heat: ON

WARNING

In case of ice formation on wing leading edge, stall speed may increase.

5.5.2 Carburetor Ice

5.5.2.1 AT TAKEOFF

At takeoff, carburetor heat is normally OFF given the unlikely possibility of ice formation at full throttle

5.5.2.2 IN FLIGHT

With external temperatures below 15° C, or on rainy days or with humid, cloudy, hazy or foggy conditions or whenever a power loss is detected, turn carburetor heat to ON until engine power is back to normal.

5.6 Electric Power System Malfunction

Electric power supply system malfunctions may be avoided by carrying out inspections as scheduled and prescribed in the Service Manual. Causes for malfunctions are hard to establish but, in any case, problems of this nature must be dealt with immediately. The following may occur:

5.6.1 GENERATOR LIGHT ILLUMINATES

Generator light may illuminate for a faulty alternator. If the generator light illuminates proceed as follows:

- LAND as soon as possible
- Continue flight on battery power alone; the battery is capable of supplying the electrical system for about 20 minutes with normal flight electric loads including operation of flap and trim.

5.7 Trim System Failure

5.7.1 LOCKED CONTROL

In case the trim control should not respond, act as follows:

Fuses / breakers CHECK
LH/RH switch CHECK for correct position
Airspeed Adjust speed to control aircraft without excessive stick force
Land aircraft as soon as possible

SECTION 6 NORMAL PROCEDURES

6 Introduction

Section 6 contains checklists and the procedures for normal operation.

6.1 Removing and Reinstalling the Engine Cowling

6.1.1 Upper Cowling

Parking brake:ON or chocks installed
Fuel selector valves:OFF
Ignition Switches:OFF
Master switch:OFF

- Unlatch all four butterfly Cam-locks mounted on the top cowling by rotating them 90° counter clockwise while slightly pushing inwards.
- Remove the four screws holding the top canopy to the bottom.
- Remove top engine cowling paying attention to propeller shaft passing through nose.

To reinstall:

- Rest cowling horizontal insuring proper fitting of nose base reference pins.
- Reinstall the four screws.
- Secure latches by applying light pressure, check for proper assembly and fasten Cam-locks.

WARNING

Butterfly Cam-locks are locked when tabs are horizontal and open when tabs are vertical. Verify tab is below latch upon closing.

6.1.2 Lower Cowling

After disassembling upper cowling

- Move the propeller to a horizontal position
- Using a standard screwdriver, press and rotate 90° the two Cam-locks positioned on lower cowling by the firewall.
- Disconnect the ram-air duct from the NACA intake. Pull out the first hinge pin positioned on the side of the firewall, then, while holding cowling, pull out second hinge pin; remove cowling with downward motion.

For installation follow reverse procedure

6.2 Checklist Procedures

6.2.1 Pre-Flight Inspection

Before each flight, it is necessary to carry out a complete inspection of the aircraft starting with an external inspection followed by an internal inspection.

6.2.1.1 Cabin Inspection

All required paperwork: ONBOARD
 Weight and balance: CHECK
 Safety belts used to lock controls: RELEASE
 Flight controls: CHECK
Check for freedom of movement and proper direction
 Parking brake: SET
 Friction lock: CHECK
 Throttle: IDLE
 Ignition Switches: OFF
 Master switch: ON
 Generator light: ON
 Aux. Alternator switch (if installed): ON
 Alternator light: ON
 Flaps: EXTEND
Visually check that flaps are fully extended and instrument indication is correct
 Trim: CHECK
Activate control in both directions checking for travel limits and instrument indication
 Stall warning: CHECK
 Navigation lights and strobe light: CHECK

NOTE

Strobe lights won't work without the engine running

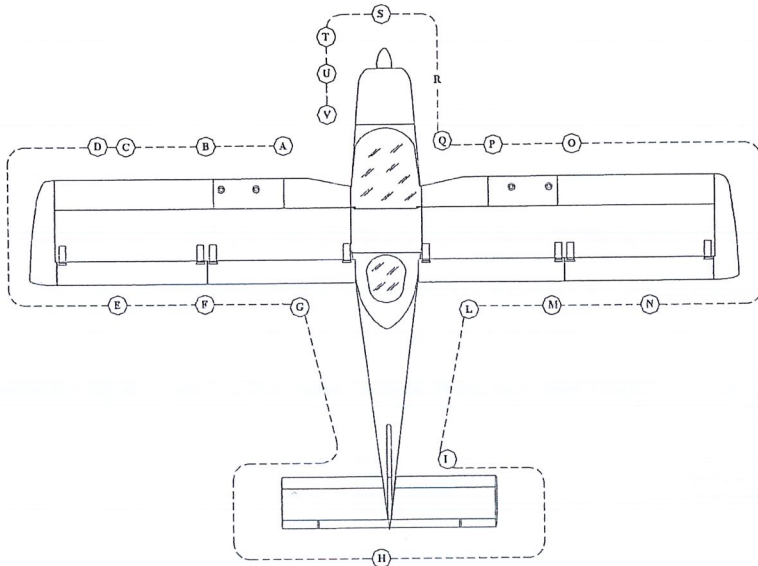
Landing light: CHECK
 Fuel Tank levels: CHECK
 Master switch: OFF

WARNING

Fuel level indicated by the fuel quantity indicators (on the instrument panel) is only indicative. For flight safety, pilot should verify actual fuel quantity visually in tanks before takeoff.

6.2.1.2 External Inspection

It is best to follow the external inspection in the station order outlined in fig. 6-1 so nothing is missed. Visual inspection is defined as follows: check for defects, cracks, detachments, excessive play, and unsafe or improper installation as well as for general condition. For control surfaces, visual inspection also involves additional checks for freedom of movement and security.


FIG. 6-1

- A. Left fuel filler cap: CHECK visually for desired fuel level and secure
- B. Pitot tube: Remove pitot tube cover and check that the pitot tube mounted on the left wing is unobstructed. Do not blow inside pitot tube.
- C. Left side leading edge and wing skin: CHECK for damage
- D. Left aileron: CHECK for damage, freedom of movement; Left tank vent: CHECK for obstructions
- E. Left flap and hinges: CHECK security
- F. Left main landing gear: CHECK inflation 23 PSI (1.6 bar), tire condition, alignment, fuselage skin condition
- G. Horizontal tail and tab: CHECK for damage, freedom of movement
- H. Vertical tail and rudder: CHECK for damage, freedom of movement (NOTE: do not move rudder unless nosewheel is lifted off the ground)
- I. Right side main landing gear: CHECK inflation 23 PSI (1.6 bar), tire condition, alignment, fuselage skin condition
- J. Right flap and hinges: CHECK security
- K. Right aileron: CHECK for damage, freedom of movement; Right side tank vent: check for obstructions
- L. Right leading edge and wing skin: CHECK for damage

Flight Manual

- M. Stall indicator micro switch : Check freedom of movement, turn on Master switch and check cabin acoustic warning signal is operative, turn off Master switch
- N. Right side fuel filler cap: CHECK visually for desired fuel level and secure
- O. Nose wheel strut and tire: CHECK inflation 15 PSI (1.0 bar); tire condition and condition of rubber shock absorber discs. Check the right static port for obstructions.
- P. Propeller and spinner condition: CHECK for nicks and security
- Q. Open both engine cowlings and perform the following checklist:
 - Check no foreign objects are present
 - Check the cooling system for losses, check coolant reservoir level, and insure radiator honeycomb is unobstructed
 - Check oil system for losses, check oil reservoir level, and insure radiator honeycomb is unobstructed
 - Check fuel system. Open both fuel shutoff valves and inspect fuel lines for leaks. Drain Gascolator using a cup to collect fuel. Make sure that valve is closed and not leaking. Check for water or other contaminants.
 - Engine mounts: CHECK integrity
 - Intake system: Check connection and integrity of air intake system, visually inspect that ram air intake is unobstructed
 - All parts: Check they are secure or safety wired

WARNING

Drain fuel with aircraft parked on level surface

- R. Engine cowlings: CLOSE
- S. Landing Light: CHECK
- T. Tow bar and chocks: REMOVE

6.2.1.3 BEFORE START

- Parking brake: SET
- Flight controls: CHECK
- Throttle: IDLE
- Friction lock: ADJUST
- Master switch: ON
- Generator light: ON
- Aux. Alternator switch: ON
- Aux. Alternator light: ON
- Trim control: CENTERED
- Trim switch: LEFT
- Landing light: CHECK
- Fuel quantity: CHECK

NOTE

Compare the fuel levels read by the fuel quantity indicators with the quantity present in the tanks

- Master switch: OFF
- Seat position and safety belts: ADJUST
- If flying solo:*
- Passenger belts: SECURED / CLEAR OF CONTROLS
- Doors: CLOSED AND LOCKED

Flight Manual
6.2.1.4 STARTING ENGINE

Brakes: SET
 Fuel selector valves: BOTH ON
 Master switch: ON
 Throttle: IDLE
 Choke: AS NEEDED
 Propeller area: CLEAR

WARNING

Check to insure no person or object is present in the area close to propeller

Strobe light: ON
 Ignition Switches: ON
 Master Switch: START

NOTE

Starter duty cycle: max of 10 seconds on followed by a cooling period of 2 minutes off

Oil pressure: CHECK

WARNING

*If oil pressure doesn't rise within 10 seconds, shut down engine.
 The maximum oil pressure for cold conditions is 7 bar.*

Engine instruments: CHECK
 Choke: OFF
 Engine rpm: 2000-2500 rpm
 Fuel pressure: CHECK

6.2.1.5 BEFORE TAXI

Radio and Avionics: ON
 Altimeter: SET
 Flight Instruments: SET, CHECK
 Parking brake: OFF

6.2.1.6 TAXI

Brakes: CHECK
 Flight instruments: CHECK

6.2.1.7 BEFORE TAKE-OFF

Parking brake: ON
 Engine instruments: CHECK

- Oil temperature: 90°-110 °C
- Cylinder head temperature: 90° - 135 °C
- Oil pressure: 2 - 5 bar
- Fuel pressure: 0.15 - 0.40 bar

 Generator light: OFF
 External Alternator light: OFF
 Throttle: 4000 RPM

To test ignition systems:

- Maximum RPM drop with only one ignition 300 rpm
- Maximum differential between LEFT or RIGHT 120 rpm

Flight Manual

Carburetor Heat: CHECK
 Throttle: IDLE
 Fuel quantity indicators: CHECK
 Fuel selector valves: BOTH ON
 Flaps: T/O (15°)
 Flight controls: CHECK
 Trim: CENTER
 Seat belts: FASTENED
 Doors: CLOSED AND LOCKED
 Transponder (if installed): ALT

6.2.1.8 TAKEOFF AND CLIMB

Parking brake: OFF
 Carburetor heat: OFF
Taxi to line-up:
 Magnetic compass and DG: CHECK, SET
 Throttle: FULL

NOTE

Static RPM is approximately 5100 ± 250 rpm

Engine instruments: CHECK
 Vr (Rotation speed): ~ 41 KIAS [45 KCAS]

NOTE

Rotate to takeoff attitude and accelerate to a climb speed of 60 knots with 15° Flaps

Above 300' AGL:

Flaps: RETRACT
 Establish Vy clean: 60 KIAS [62 KCAS]
 Trim: ADJUST
 Cruise climb: 70 – 75 KNOTS

6.2.1.9 CRUISE

Reaching cruise altitude:

Throttle: SET (5500 RPM Max)
 Engine instruments: CHECK

- Oil temperature: 90°-110 ° C
- Cylinder head temperature: 90° - 135 °C
- Oil pressure: 2 - 5 bar
- Fuel pressure: 0.15 – 0.40 bar

CAUTION

Normal position of the fuel selectors is both on. Check fuel balance and fuel pressure. If necessary, shut off the higher reading tank using the appropriate fuel shutoff valve. Check fuel pressure again. **BE SURE THAT ONE TANK IS FEEDING THE ENGINE AT ALL TIMES!**

NOTE

Check fuel gauges frequently with one tank shut off to prevent fuel starvation.

6.2.1.10 BEFORE LANDING

Landing light (if installed): ON
On downwind leg: Speed and flaps at your discretion based on traffic, etc.
 Traffic: CHECK
 Flaps: AS DESIRED
 Optimal touchdown speed (full flaps): 39 KNOTS

6.2.1.11 BALKED LANDING

Throttle:..... FULL
 Airspeed:..... 56 KIAS [59 KCAS]
 Flaps position:..... TO / 15 degrees
 Airspeed:..... 56 KIAS [59 KCAS]
 Trim:..... ADJUST
Above 300' AGL:
 Flaps:..... RETRACT
 Establish Vy clean:..... 60 KIAS [62 KCAS]
 Trim:..... ADJUST
 After takeoff checklist:..... COMPLETE

6.2.1.12 AFTER LANDING

Taxi at an appropriate speed for conditions

Flaps:..... UP
 Transponder:..... STANDBY

6.2.1.13 ENGINE SHUT DOWN

Keep engine running at 2500 rpm for about one minute in order to reduce latent heat. This can be accomplished during taxi.

NOTE

Do not ride the brakes to facilitate cool down. If necessary, stop for one minute with parking brake on to cool the engine.

Electrical equipment (except the Strobe Light):..... OFF
 Ignition switches:..... OFF
 Strobe light:..... OFF
 Master switch:..... OFF
 One or both fuel valves:..... OFF
 Parking brake:..... ON
 Chocks:..... INSTALL
 Parking brake:..... OFF

6.2.1.14 POSTFLIGHT CHECK

Pitot tube cover:..... INSTALL
 Aircraft:..... TIED DOWN
 Control locks:..... INSTALL
 Chocks:..... INSTALL
 Parking brake:..... OFF
 Doors:..... CLOSED AND LOCKED

SECTION 7

GROUND HANDLING & SERVICE

7 Introduction

This section contains factory-recommended procedures for proper ground handling and routine care and servicing. It also identifies certain inspection and maintenance requirements, which must be followed if the aircraft is to retain its new-plane performance and dependability. It is recommended to follow a planned schedule of lubrication and preventive maintenance based on climatic and flying conditions encountered locally.

7.1 Aircraft Inspection Periods

Inspection intervals occur at 100 hours and in accordance with special inspection schedules, which are added to regularly, scheduled inspections. Correct maintenance procedures are described in the aircraft's Service Manual or in the engine's Line Maintenance Manual.

7.2 Aircraft Alterations or Repairs

For repairs, refer to aircraft's Line Maintenance Manual.

7.3 Ground Handling

7.3.1 Towing

The use of a towbar is recommended. But, pulling on the propeller near the axle you can safely maneuver the aircraft. Aircraft may be steered by turning rudder or, for steep turns, by pushing lightly on tailcone to lift nose wheel.

7.3.2 Parking and Tiedown

When parking airplane outdoors, head it into the wind and set the parking brake. It is preferable to use chocks if available. Tie the airplane down in severe weather and high wind conditions. Tie-down ropes shall be fastened to the wing attachments and anchoring shall be provided by ramp tie-downs. Nose gear fork can be used for front tie-down location or the tail can be tied down with the optional Tiedown point. Secure the flight controls to avoid possible weathervane damage to moving surfaces. Seatbelts may be used to latch control stick to prevent its movement.

7.3.3 Jacking

Given the light empty weight of the aircraft, lifting one of the main wheels can easily be accomplished even without the use of hydraulic jacks. For an acceptable procedure please refer to the Line Maintenance Manual.

7.3.4 Leveling

Aircraft leveling may become necessary to check wing incidence, dihedral or the exact location of CG. Longitudinal leveling verification is obtained by placing a level longitudinally, over the aft part of the cabin floor (just in front of the seat). See maintenance manual for instructions.

7.3.5 Road Transport

It is recommended to secure tightly all aircraft components onto the cart to avoid damage during transport. Minimum cart size is 7x2.5 meters. It is suggested to place wings under the aircraft's bottom, secured by specific clamps. Secondary

components such as stabilator and struts shall be protected from accidental hits using plastic or other material. For correct rigging and de-rigging procedure, refer to the Line Maintenance Manual.

7.3.6 Cleaning and Care

To clean painted surfaces, use a mild detergent such as shampoo normally used for car finish; use a soft cloth for drying. The plastic windshield and windows should never be dusted when dry; use lukewarm soapy water and dry using chamois only. It is possible to use special glass detergents but, in any case, never use products such as gasoline, alcohol, acetone or other solvents.

To clean cabin interior, seats, upholstery and carpet, it is generally recommended to use foam-type detergents.

7.3.7 Ground anchorage

The airplane should be moored for immobility, security and protection. FAA Advisory Circular AC 20-35C, Tiedown Sense, contains additional information regarding preparation for severe weather, tiedown, and related information. The following procedures should be used for the proper mooring of the airplane:

1. Head the airplane into the wind if possible.
2. Retract the flaps.
3. Chock the wheels.
4. Lock the control stick using safety belts.
5. Secure tie-down ropes to the wing tie-down rings and to the tail ring at approximately 45-degree angles to the ground, in longitudinal direction (see Fig. 8-1).

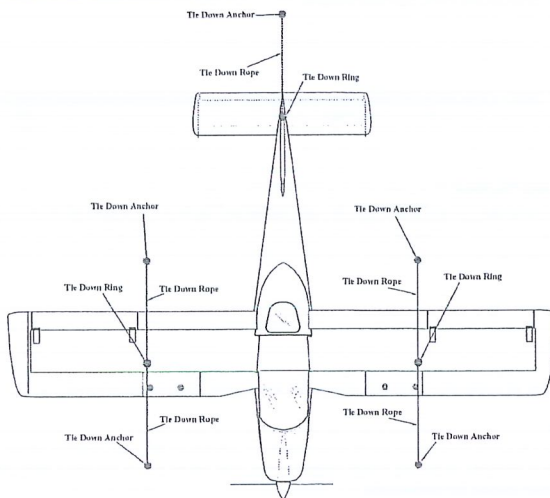


Fig. 7-1. CABLE POSITIONING

Section 8 REQUIRED PLACARDS & MARKINGS

8 Placards and Markings

The following limitation placards must be placed in plain view on the aircraft.
Near the airspeed indicator a placard will state the following:

Maneuvering speed $V_A = 84$ KIAS

On the right hand side of the panel a placard will state the following:

Passenger Warning
This aircraft was manufactured in accordance with Light Sport aircraft airworthiness standards and does not conform to standard category airworthiness requirements.

Near baggage compartment a placard will state the following:

Fasten tie-down net
Maximum weight 44 lbs

On the doors there are the following placards:

LIGHT SPORT



For other placards see Line Maintenance Manual

Feedback Form

Send your comments to:

In the USA:
Tecnam Aircraft, Inc.
1350 Churchill Way
Marietta, GA 30062
www.tecnamaircraft.com
Tecnam@bellsouth.net
(770) 309-4155
Italian Address:

COSTRUZIONI AERONAUTICHE TECNAM s.r.l.  www.tecnam.com

Casoria industrial plant
1a Traversa via G. Pascoli n°1
80026 Casoria (NA) - ITALY
 +39 081 7583210  +39 081 7584528

Via Maiorise
81043 Capua (CE) - ITALY
 +39 0823 620134  +39 0823 622899